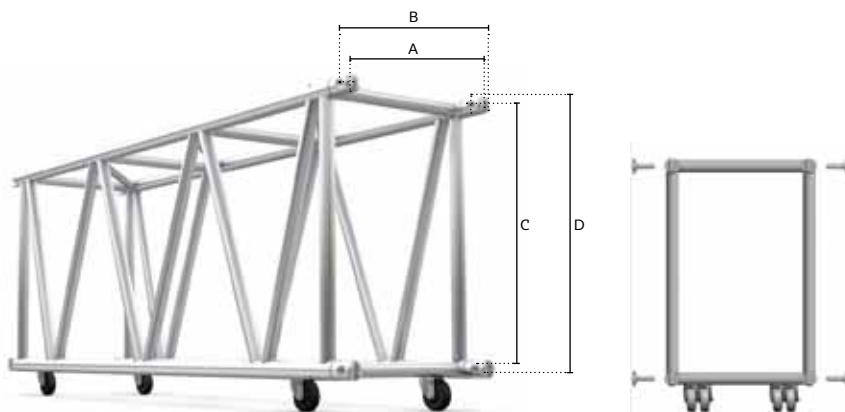


# 4GX-91

- Ultra-high capacity fork-connection series
- Super heavy-duty 60x6mm (2.36"x0.24") main tube
- Great free-span & loading characteristics (up to 42m / 137.79 ft)
- Transit wheels fitted for ease of transportation & setup
- All components supplied complete with connection accessories
- Compatible with 300 series cell clamps
- Powder coat colour finish available on request

## 4GX-91



### 4GX-91

	Main Chords	Diagonals	Horizontal Braces	Alloy	A	B	C	D	Connection
mm (in)	60x6 (2.36x0.24)	48x3 (1.89x0.12)	48x4.5 (1.89x0.18)	EN - AW 6082 T6	550 (21.65)	610 (24.02)	854 (33.62)	914 (35.98)	Fork/Pin

### 4GX-91

LOADING CHART

Span	m (ft)	8.00 (26.25)	10.00 (32.81)	12.00 (39.37)	14.00 (45.93)	16.00 (52.49)	18.00 (59.06)	20.00 (65.62)	22.00 (72.18)
Centre Point Load (CPL)	kg (lbs)	6121.20 (13494.92)	4855.70 (10704.97)	4004.40 (8828.18)	3389.70 (7473.00)	2923.00 (6444.10)	2554.90 (5632.58)	2255.80 (4973.18)	2007.00 (4424.67)
Deflection	mm (in)	12.60 (0.50)	19.70 (0.78)	28.50 (1.12)	38.90 (1.53)	51.10 (2.01)	65.00 (2.56)	80.80 (3.18)	98.50 (3.88)
Third Point Load (TPL)	kg (lbs)	4590.90 (10121.19)	3641.80 (8028.79)	3003.30 (6621.14)	2542.30 (5604.81)	2192.20 (4832.97)	1916.20 (4224.49)	1691.90 (3730.00)	1505.20 (3318.39)
Deflection	mm (in)	16.00 (0.63)	25.00 (0.98)	36.00 (1.42)	49.10 (1.93)	64.10 (2.52)	81.30 (3.20)	100.50 (3.96)	121.80 (4.80)
Quarter Point Load (QPL)	kg (lbs)	3060.60 (6747.46)	2427.80 (5352.38)	2002.20 (4414.09)	1694.90 (3736.61)	1461.50 (3222.05)	1277.40 (2816.18)	1127.90 (2486.59)	1003.50 (2212.34)
Deflection	mm (in)	14.90 (0.59)	23.30 (0.92)	33.50 (1.32)	45.80 (1.80)	59.90 (2.36)	76.00 (2.99)	94.10 (3.70)	114.20 (4.50)
Fifth Point Load (FPL)	kg (lbs)	2550.50 (5622.88)	2023.20 (4460.39)	1668.50 (3678.41)	1412.40 (3113.81)	1217.90 (2685.01)	1064.50 (2346.82)	939.90 (2072.12)	836.20 (1843.50)
Deflection	mm (in)	15.80 (0.62)	24.60 (0.97)	35.50 (1.40)	48.40 (1.91)	63.30 (2.49)	80.30 (3.16)	99.30 (3.91)	120.30 (4.74)
Uniformly Distributed Load (UDL)	kg (lbs)	1490.50 (1001.57)	971.10 (652.55)	667.40 (448.47)	484.20 (325.37)	365.40 (245.54)	283.90 (190.77)	225.60 (151.60)	182.50 (122.63)
Deflection	mm (in)	15.20 (0.60)	24.40 (0.96)	35.20 (1.39)	48.00 (1.89)	62.80 (2.47)	79.70 (3.14)	98.50 (3.88)	119.50 (4.70)

Span	26.00 (85.30)	28.00 (91.86)	30.00 (98.43)	32.00 (104.99)	34.00 (111.55)	36.00 (118.11)	38.00 (124.67)	40.00 (131.23)	42.00 (137.79)
Centre Point Load (CPL)	1613.50 (3557.15)	1454.00 (3205.52)	1312.70 (2894.00)	1186.30 (2615.34)	1072.00 (2363.35)	967.80 (2133.63)	872.20 (1922.87)	783.90 (1728.20)	701.80 (1547.20)
Deflection	139.90 (5.51)	163.70 (6.44)	189.80 (7.47)	218.10 (8.59)	248.90 (9.80)	282.20 (11.11)	318.20 (12.53)	357.00 (14.06)	398.60 (15.69)
Third Point Load (TPL)	1210.10 (2667.81)	1090.50 (2404.14)	984.60 (2170.67)	889.70 (1961.45)	804.00 (1772.51)	725.90 (1600.33)	654.20 (1442.26)	587.90 (1296.10)	526.30 (1160.29)
Deflection	170.80 (6.72)	198.50 (7.81)	228.40 (8.99)	260.50 (10.26)	294.80 (11.61)	331.50 (13.05)	370.40 (14.58)	411.60 (16.20)	455.30 (17.93)
Quarter Point Load (QPL)	806.80 (1778.69)	727.00 (1602.76)	656.40 (1447.11)	593.10 (1307.56)	536.00 (1181.68)	483.90 (1066.82)	436.10 (961.43)	391.90 (863.99)	350.90 (773.60)
Deflection	160.70 (6.33)	187.20 (7.37)	215.80 (8.50)	246.70 (9.71)	279.90 (11.02)	315.50 (12.42)	353.40 (13.91)	393.90 (15.51)	439.90 (17.20)
Fifth Point Load (FPL)	672.30 (1482.17)	605.80 (1335.56)	547.00 (1205.93)	494.30 (1089.74)	446.70 (984.80)	403.30 (889.12)	363.40 (801.16)	326.60 (720.03)	292.40 (644.63)
Deflection	168.80 (6.65)	196.30 (7.73)	225.90 (8.89)	257.80 (10.15)	291.90 (11.49)	328.30 (12.93)	367.00 (14.45)	408.10 (16.07)	451.40 (17.77)
Uniformly Distributed Load (UDL)	124.10 (83.39)	103.90 (69.82)	87.50 (58.80)	74.10 (49.79)	63.10 (42.40)	53.80 (36.15)	45.90 (30.84)	39.20 (26.34)	33.40 (73.63)
Deflection	167.70 (6.60)	195.00 (7.68)	224.50 (8.84)	256.30 (10.09)	290.30 (11.43)	326.50 (12.85)	365.20 (14.38)	406.20 (15.99)	449.60 (17.70)

### STANDARD LENGTHS AND WEIGHTS AVAILABLE

	m (ft)	1.20 (3.94)	2.40 (7.87)	3.00 (9.84)
4GX-91	kg (lbs)	36.70 (80.95)	64.00 (141.14)	72.20 (159.33)

Connection material (pins/clips/couplers) and packaging are not included in above weights



CPL  
(Centre Point Load)

TPL  
(Third Point Load)

QPL  
(Quarter Point Load)

FPL  
(Fifth Point Load)

UDL  
(Uniformly Distributed Load)

**All truss loading calculations are based on:**

Truss supported or suspended at both ends • Static loadings only • Loads applied in the node points • Self-weight of the truss is included in all listed load capacities • Spans made of different truss lengths • Interaction of bending moment and shear force at connector is considered • Structural analysis based on EN 1999 • All loading data should be multiplied by 0.85 to comply with BS 7905-2 and ANSI E1.2-2006 • For any other application, or in case of an assembled structure, contact Milos or a structural engineer • Safety factors used: self-weight 1.35 / variable loads 1.5