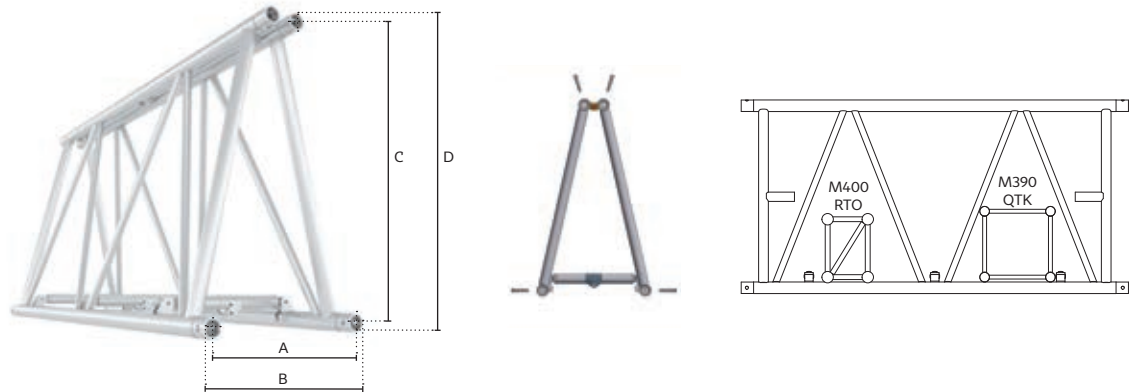


# M950

- New, heavy-duty RTTH available with up to 50% better SWL
- Ultra-high capacity M950 series truss range
- Great free-span & loading characteristics (FTT,RTT up to 40m/131.23ft, RTTH up to 42m/137.79 ft)
- Super-sized conical connections for maximum rigidity
- Transit wheels fitted for ease of transportation & setup
- User-friendly tapered pin holes for ease of assembly
- Fixed rectangular or compact folding version available
- Connection kit supplied with every truss length
- Compatible with 300 series cell clamps
- Powder coat colour finish available on request

## FOLD



### M950

FTT	mm	in	Main Chords	Diagonals	Alloy	A	B	C	D	Coupler
			60x6 (2.36x0.24)	32x3 (1.26x0.12)	EN - AW 6082 T6	520 (20.47)	580 (22.84)	940 (37.00)	1000 (39.37)	CCO

### M950 FTT FOLD

LOADING CHART

Span	m (ft)	8.00 (26.25)	10.00 (32.81)	12.00 (39.37)	14.00 (45.93)	16.00 (52.49)	18.00 (59.06)	20.00 (65.62)	22.00 (72.18)
Centre Point Load (CPL)	kg (lbs)	3159.30 (6965.06)	3118.90 (6875.99)	3078.60 (6787.14)	3038.20 (6698.08)	2997.80 (6609.01)	2949.90 (6503.41)	2616.60 (5768.61)	2340.20 (5159.25)
Deflection	mm (in)	5.40 (0.21)	10.60 (0.42)	18.20 (0.72)	28.80 (1.13)	42.80 (1.69)	60.50 (2.38)	75.10 (2.96)	91.40 (3.60)
Third Point Load (TPL)	kg (lbs)	1579.60 (3482.42)	1559.50 (3438.10)	1539.30 (3393.57)	1519.10 (3349.04)	1498.90 (3304.50)	1478.70 (3259.97)	1458.50 (3215.44)	1438.40 (3171.13)
Deflection	mm (in)	4.70 (0.19)	9.10 (0.36)	15.60 (0.61)	24.80 (0.98)	36.90 (1.45)	52.40 (2.06)	71.70 (2.82)	95.20 (3.75)
Quarter Point Load (QPL)	kg (lbs)	1053.10 (2321.69)	1039.60 (2291.92)	1026.20 (2262.38)	1012.70 (2232.62)	999.30 (2203.08)	985.80 (2173.31)	972.40 (2143.77)	958.90 (2114.01)
Deflection	mm (in)	4.30 (0.17)	8.50 (0.33)	14.60 (0.57)	23.10 (0.91)	34.50 (1.36)	49.00 (1.93)	67.10 (2.64)	89.20 (3.51)
Fifth Point Load (FPL)	kg (lbs)	789.80 (1741.21)	779.70 (1718.94)	769.60 (1696.68)	759.50 (1674.41)	749.50 (1652.36)	739.40 (1630.10)	729.30 (1607.83)	719.20 (1585.56)
Deflection	mm (in)	4.10 (0.16)	8.10 (0.32)	14.00 (0.55)	22.20 (0.87)	33.10 (1.30)	47.00 (1.85)	64.40 (2.54)	85.70 (3.37)
Uniformly Distributed Load (UDL)	kg/m (lbs/ft)	394.90 (265.36)	311.90 (209.59)	256.50 (172.36)	217.00 (145.82)	187.40 (125.93)	164.30 (110.40)	145.90 (98.04)	130.80 (87.89)
Deflection	mm (in)	3.50 (0.14)	6.80 (0.27)	11.70 (0.46)	18.60 (0.73)	27.80 (1.09)	39.70 (1.56)	54.50 (2.15)	72.70 (2.86)

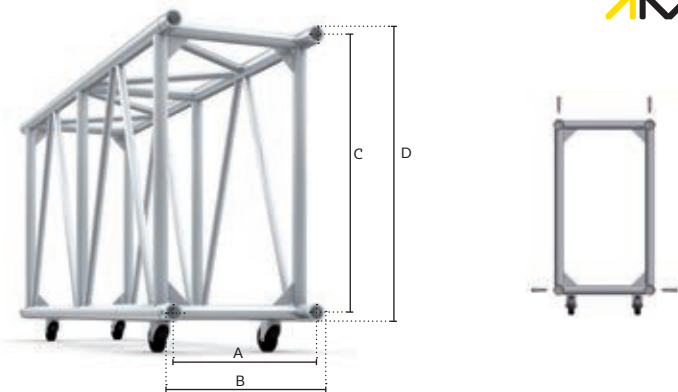
Span	24.00 (78.74)	26.00 (85.30)	28.00 (91.86)	30.00 (98.43)	32.00 (104.99)	34.00 (111.55)	36.00 (118.11)	38.00 (124.67)	40.00 (131.23)
Centre Point Load (CPL)	2106.50 (4644.03)	1905.60 (4201.12)	1730.60 (3815.32)	1576.20 (3474.92)	1438.60 (3171.57)	1314.80 (2898.63)	1202.50 (2651.06)	1099.90 (2424.86)	1005.50 (2216.75)
Deflection	109.40 (4.31)	129.30 (5.09)	151.00 (5.94)	174.70 (6.88)	200.40 (7.89)	228.20 (8.98)	258.10 (10.16)	290.30 (11.43)	324.80 (12.79)
Third Point Load (TPL)	1418.20 (3126.59)	1398.00 (3082.06)	1297.90 (2861.38)	1182.10 (2606.08)	1078.90 (2378.56)	986.10 (2173.98)	901.90 (1988.35)	824.90 (1818.59)	754.10 (1662.50)
Deflection	123.30 (4.85)	156.40 (6.16)	185.20 (7.29)	213.00 (8.39)	242.80 (9.56)	274.70 (10.81)	308.60 (12.15)	344.60 (13.57)	382.80 (15.07)
Quarter Point Load (QPL)	945.50 (2084.47)	932.00 (2054.71)	865.30 (1907.66)	788.10 (1737.46)	719.30 (1585.78)	657.40 (1449.32)	601.20 (1325.42)	549.90 (1212.32)	502.80 (1108.48)
Deflection	115.70 (4.56)	146.80 (5.78)	174.10 (6.85)	200.60 (7.90)	229.00 (9.02)	259.60 (10.22)	292.20 (11.50)	327.00 (12.87)	364.00 (14.33)
Fifth Point Load (FPL)	709.10 (1563.30)	699.00 (1541.03)	688.90 (1518.76)	656.70 (1447.77)	599.40 (1321.45)	547.80 (1207.69)	501.00 (1104.51)	458.30 (1010.38)	419.00 (923.74)
Deflection	111.10 (4.37)	141.20 (5.56)	176.10 (6.93)	210.60 (8.29)	240.10 (9.45)	271.70 (10.70)	305.40 (12.02)	341.20 (13.43)	379.10 (14.93)
Uniformly Distributed Load (UDL)	118.20 (79.43)	107.50 (72.24)	98.40 (66.12)	90.50 (60.81)	83.60 (56.18)	77.30 (51.94)	66.80 (44.89)	57.90 (38.91)	50.30 (33.80)
Deflection	94.50 (3.72)	120.30 (4.74)	150.40 (5.92)	185.30 (7.30)	225.20 (8.87)	270.00 (10.63)	303.60 (11.95)	339.20 (13.35)	377.00 (14.84)

### STANDARD LENGTHS AND WEIGHTS AVAILABLE

	m (ft)	1.00 (3.28)	1.20 (3.94)	2.00 (6.56)	2.40 (7.87)	2.50 (8.20)	3.00 (9.84)	4.00 (13.12)
FTT	kg (lbs)	23.80 (52.49)	27.30 (60.19)	43.10 (95.01)	47.80 (105.38)	-	63.50 (139.99)	-
RTT	kg (lbs)	30.70 (67.73)	34.30 (75.64)	51.90 (114.51)	56.70 (125.16)	-	71.60 (158.05)	-
RTTH	kg (lbs)	32.00 (70.54)	36.00 (79.36)	55.00 (121.25)	60.00 (132.27)	61.20 (134.92)	76.10 (167.77)	98.50 (217.15)

Connection material (pins/clips/couplers) and packaging are not included in above weights

# RECT



## M950

	Main Chords	Diagonals	Alloy	A	B	C	D	Coupler
RTT	60x6 (2.36x0.24)	32x3 (1.26x0.12)	EN - AW 6082 T6	520 (20.47)	580 (22.84)	940 (37.00)	1000 (39.37)	CCO
RTTH	60x6 (2.36x0.24)	48x3 (1.89x0.12)	EN - AW 6082 T6	520 (20.47)	580 (22.84)	940 (37.00)	1000 (39.37)	CCO

## M950 RTT RECT

### LOADING CHART

Span	m (ft)	8.00 (26.25)	10.00 (32.81)	12.00 (39.37)	14.00 (45.93)	16.00 (52.49)	18.00 (59.06)	20.00 (65.62)	22.00 (72.18)	
Centre Point Load (CPL)	kg (lbs)	3547.20 (7820.23)	3501.30 (7719.04)	3455.40 (7617.84)	3307.00 (7290.68)	3006.00 (6627.09)	2779.00 (6126.64)	2537.00 (5593.12)	2309.90 (5092.45)	
Deflection	mm (in)	6.10 (0.24)	11.90 (0.47)	20.40 (0.80)	31.40 (1.24)	43.30 (1.70)	57.90 (2.28)	74.00 (2.91)	91.80 (3.61)	
Third Point Load (TPL)	kg (lbs)	1773.60 (3910.11)	1750.60 (3859.41)	1727.70 (3808.92)	1704.80 (3758.44)	1681.80 (3707.73)	1658.90 (3657.24)	1636.00 (3606.76)	1597.00 (3520.78)	
Deflection	mm (in)	5.20 (0.20)	10.20 (0.40)	17.60 (0.69)	27.80 (1.09)	41.40 (1.63)	58.80 (2.31)	80.50 (3.17)	106.00 (4.17)	
Quarter Point Load (QPL)	kg (lbs)	1182.40 (2606.74)	1167.10 (2573.01)	1151.80 (2539.28)	1136.50 (2505.55)	1121.20 (2471.82)	1105.90 (2438.09)	1090.60 (2404.36)	1075.40 (2370.85)	
Deflection	mm (in)	4.90 (0.19)	9.50 (0.37)	16.40 (0.65)	26.00 (1.02)	38.70 (1.52)	55.10 (2.17)	75.40 (2.97)	100.20 (3.94)	
Fifth Point Load (FPL)	kg (lbs)	886.80 (1955.06)	875.30 (1929.70)	863.90 (1904.57)	852.40 (1879.22)	840.90 (1853.86)	829.50 (1828.73)	818.00 (1803.38)	806.50 (1778.03)	
Deflection	mm (in)	4.70 (0.19)	9.10 (0.36)	15.70 (0.62)	24.90 (0.98)	37.10 (1.46)	52.80 (2.08)	72.40 (2.85)	96.30 (3.79)	
Uniformly Distributed Load (UDL)	kg/m (lbs/ft)	443.40 (297.95)	350.10 (235.26)	288.00 (193.53)	243.50 (163.62)	210.20 (141.25)	184.30 (123.84)	163.60 (109.93)	146.60 (98.51)	
Deflection	mm (in)	3.90 (0.15)	7.60 (0.30)	13.20 (0.52)	20.90 (0.82)	31.30 (1.23)	44.60 (1.76)	61.30 (2.41)	81.70 (3.22)	
Span	m (ft)	24.00 (78.74)	26.00 (85.30)	28.00 (91.86)	30.00 (98.43)	32.00 (104.99)	34.00 (111.55)	36.00 (118.11)	38.00 (124.67)	40.00 (131.23)
Centre Point Load (CPL)	kg (lbs)	2073.40 (4571.06)	1869.80 (4122.20)	1692.00 (3730.22)	1534.90 (3383.87)	1394.50 (3074.34)	1268.00 (2795.46)	1152.90 (2541.71)	1047.60 (2309.56)	950.50 (2095.49)
Deflection	mm (in)	110.00 (4.33)	130.10 (5.12)	152.10 (5.99)	176.10 (6.93)	202.20 (7.96)	230.50 (9.07)	261.00 (10.28)	293.90 (11.57)	329.30 (12.96)
Third Point Load (TPL)	kg (lbs)	1493.00 (3291.50)	1402.40 (3091.76)	1269.00 (2797.66)	1151.20 (2537.96)	1045.90 (2305.81)	951.00 (2096.59)	864.70 (1906.33)	785.70 (1732.17)	712.90 (1571.67)
Deflection	mm (in)	131.10 (5.16)	159.70 (6.29)	185.50 (7.30)	213.40 (8.40)	243.40 (9.58)	275.40 (10.84)	309.50 (12.19)	345.70 (13.61)	384.00 (15.12)
Quarter Point Load (QPL)	kg (lbs)	1036.70 (2285.53)	934.90 (2061.10)	846.00 (1865.11)	767.40 (1691.83)	697.30 (1537.28)	634.00 (1397.73)	576.50 (1270.96)	523.80 (1154.78)	475.20 (1047.64)
Deflection	mm (in)	127.40 (5.02)	150.10 (5.91)	174.70 (6.88)	201.30 (7.93)	230.00 (9.06)	260.80 (10.27)	293.70 (11.56)	328.90 (12.95)	366.20 (14.42)
Fifth Point Load (FPL)	kg (lbs)	795.00 (1752.67)	779.10 (1717.62)	705.00 (1554.26)	639.50 (1409.85)	581.10 (1281.10)	528.30 (1164.70)	480.40 (1059.10)	436.50 (962.32)	396.00 (873.03)
Deflection	mm (in)	124.80 (4.91)	157.80 (6.21)	183.40 (7.22)	211.00 (8.31)	240.70 (9.48)	272.50 (10.73)	306.40 (12.06)	342.40 (13.48)	380.50 (14.98)
Uniformly Distributed Load (UDL)	kg/m (lbs/ft)	132.50 (89.04)	120.60 (81.04)	110.30 (74.12)	101.40 (68.14)	87.20 (58.60)	74.60 (50.13)	64.10 (43.07)	55.10 (37.03)	47.50 (31.92)
Deflection	mm (in)	106.20 (4.18)	135.20 (5.32)	169.10 (6.66)	208.20 (8.20)	239.20 (9.42)	270.90 (10.67)	304.60 (11.99)	340.50 (13.41)	378.60 (14.91)

## M950 RTTH RECT HD

### LOADING CHART

Span	m (ft)	8.00 (26.25)	10.00 (32.81)	12.00 (39.37)	14.00 (45.93)	16.00 (52.49)	18.00 (59.06)	20.00 (65.62)	22.00 (72.18)	
Centre Point Load (CPL)	kg (lbs)	4077.00 (8988.25)	3719.00 (8198.99)	3369.00 (7427.37)	3068.00 (6763.78)	2797.00 (6166.33)	2579.00 (5685.72)	2341.00 (5161.02)	2166.00 (4775.21)	
Deflection	mm (in)	7.00 (0.28)	12.60 (0.49)	20.00 (0.79)	29.30 (1.15)	40.60 (1.60)	54.40 (2.14)	69.30 (2.73)	87.30 (3.44)	
Third Point Load (TPL)	kg (lbs)	2309.00 (5090.47)	2159.00 (4759.78)	2044.00 (4506.25)	1923.00 (4239.49)	1798.00 (3963.91)	1695.00 (3736.84)	1586.00 (3496.53)	1473.00 (3247.41)	
Deflection	mm (in)	6.70 (0.26)	12.50 (0.49)	20.60 (0.81)	31.80 (1.23)	44.20 (1.74)	60.20 (2.37)	78.70 (3.10)	99.20 (3.91)	
Quarter Point Load (QPL)	kg (lbs)	1630.00 (3593.54)	1559.00 (3437.01)	1486.00 (3270.07)	1408.00 (3104.11)	1344.00 (2963.01)	1273.00 (2806.49)	1198.00 (2641.14)	1133.00 (2497.84)	
Deflection	mm (in)	6.70 (0.26)	12.50 (0.49)	20.90 (0.82)	31.20 (1.25)	45.90 (1.81)	62.80 (2.47)	82.40 (3.24)	105.40 (4.15)	
Fifth Point Load (FPL)	kg (lbs)	1268.00 (2795.46)	1216.00 (2680.82)	1156.00 (2548.54)	1121.00 (2471.38)	1075.00 (2369.97)	1021.00 (2250.92)	975.00 (2149.51)	934.00 (2059.12)	
Deflection	mm (in)	6.60 (0.26)	12.50 (0.49)	20.70 (0.81)	32.20 (1.27)	46.70 (1.84)	64.00 (2.52)	85.10 (3.35)	110.00 (4.33)	
Uniformly Distributed Load (UDL)	kg/m (lbs/ft)	1052.00 (706.90)	838.00 (563.17)	694.00 (466.39)	588.00 (395.16)	454.00 (305.10)	353.70 (237.70)	282.00 (189.51)	228.90 (153.83)	
Deflection	mm (in)	9.00 (0.35)	17.50 (0.69)	30.30 (1.19)	47.80 (1.88)	63.80 (2.51)	80.90 (3.19)	100.00 (3.94)	121.20 (4.77)	
Span	m (ft)	26.00 (85.30)	28.00 (91.86)	30.00 (98.43)	32.00 (104.99)	34.00 (111.55)	36.00 (118.11)	38.00 (124.67)	40.00 (131.23)	42.00 (137.79)
Centre Point Load (CPL)	kg (lbs)	1818.00 (4008.00)	1684.00 (3712.59)	1547.00 (3410.55)	1423.00 (3137.18)	1310.00 (2888.06)	1206.00 (2658.78)	1100.00 (2447.13)	1010.00 (2226.67)	927.00 (2043.68)
Deflection	mm (in)	128.10 (5.04)	152.80 (6.02)	178.80 (7.04)	207.40 (8.17)	238.60 (9.39)	272.60 (10.73)	309.40 (12.18)	346.90 (13.66)	389.60 (15.34)
Third Point Load (TPL)	kg (lbs)	1302.00 (2870.42)	1208.00 (2663.18)	1135.00 (2502.25)	1067.00 (2352.33)	993.00 (2189.19)	924.00 (2037.07)	867.40 (1912.29)	789.10 (1739.67)	716.60 (1579.83)
Deflection	mm (in)	150.90 (5.94)	179.40 (7.06)	212.70 (8.37)	249.40 (9.82)	287.20 (11.31)	328.10 (12.92)	374.70 (14.75)	416.30 (16.39)	460.20 (18.11)
Quarter Point Load (QPL)	kg (lbs)	1021.30 (2251.58)	925.00 (2039.28)	840.00 (1853.20)	765.00 (1686.54)	696.80 (1536.18)	634.90 (1399.72)	578.30 (1274.93)	526.10 (1159.85)	477.80 (1053.37)
Deflection	mm (in)	162.70 (6.41)	189.30 (7.45)	218.20 (8.59)	249.20 (9.81)	282.50 (11.12)	318.20 (12.53)	356.20 (14.02)	396.60 (15.61)	439.50 (17.30)
Fifth Point Load (FPL)	kg (lbs)	851.10 (1876.35)	771.10 (1699.98)	700.50 (1544.34)	637.50 (1405.45)	580.70 (1280.22)	529.10 (1166.47)	481.90 (1062.41)	438.40 (966.51)	398.10 (877.66)
Deflection	mm (in)	171.10 (6.74)	198.90 (7.83)	228.80 (9.01)	261.00 (10.28)	295.40 (11.63)	332.10 (13.07)	371.10 (14.61)	412.40 (16.24)	456.10 (17.96)
Uniformly Distributed Load (UDL)	kg/m (lbs/ft)	157.10 (105.55)	132.20 (88.84)	112.10 (75.33)	95.60 (64.24)	82.00 (55.10)	70.50 (47.37)	60.90 (40.90)	52.60 (35.34)	45.50 (30.57)
Deflection	mm (in)	170.00 (6.69)	197.60 (7.78)	227.40 (8.95)	259.40 (10.21)	293.60 (11.56)	330.20 (13.00)	369.00 (14.53)	410.20 (16.15)	453.80 (17.89)



All truss loading calculations are based on:  
 Truss supported or suspended at both ends • Static loadings only • Loads applied in the node points • Self-weight of the truss is included in all listed load capacities • Spans made of different truss lengths • Interaction of bending moment and shear force at connector is considered • Structural analysis based on EN 1999 • All loading data should be multiplied by 0.85 to comply with BS 7905-2 and ANSI E1.2-2006 • For any other application, or in case of an assembled structure, contact Milos or a structural engineer • Safety factors used: self-weight 1.35 / variable loads 1.5