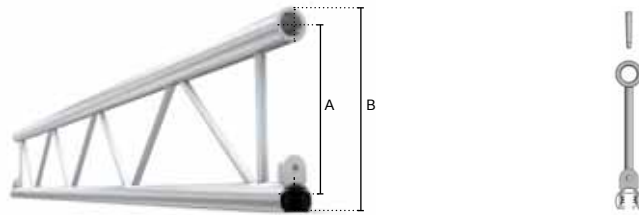


M290E

- Modular truss series with integrated lighting track
- Perfect for retail, display & architectural environments
- Supplied with 3x16 amp mains track (Eutrac)
- Track adapters & accessories to suit a wide range of lighting fixtures
- Custom lengths & curves available
- Connection kit supplied with every truss component
- Powder coat colour finish available on request

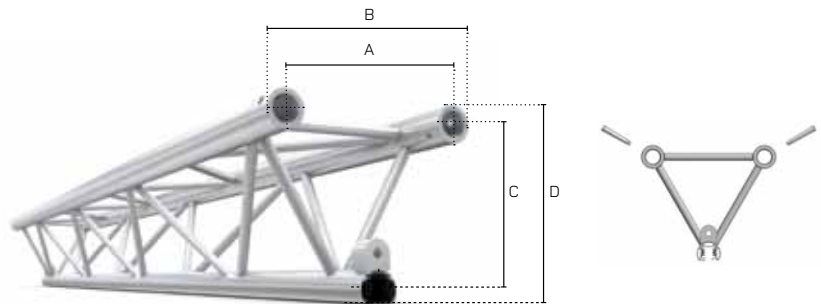
DUO



M290E

	Main Chords	Diagonals	Alloy	A	B	Coupler
BTBE	50x2 (2x0.08)	16x2 (0.62x0.08)	EN - AW 6082 T6	240 (9.44)	279 (10.98)	CCB + Bolt M10x45
BTFE	50x2 (2x0.08)	16x2 (0.62x0.08)	EN - AW 6082 T6	240 (9.44)	279 (10.98)	CCF + Bolt M10x45
BTUE	50x2 (2x0.08)	20x2 (0.78x0.08)	EN - AW 6082 T6	240 (9.44)	279 (10.98)	CCU + Bolt M10x45

TRIO



M290E

	Main Chords	Diagonals	Alloy	A	B	C	D	Coupler
STBE	50x2 (2x0.08)	16x2 (0.62x0.08)	EN - AW 6082 T6	240 (9.44)	290 (11.41)	207 (8.15)	247 (9.72)	CCB + Bolt M12x45
STFE	50x2 (2x0.08)	16x2 (0.62x0.08)	EN - AW 6082 T6	240 (9.44)	290 (11.41)	207 (8.15)	247 (9.72)	CCF + Bolt M12x45
STUE	50x2 (2x0.08)	20x2 (0.78x0.08)	EN - AW 6082 T6	240 (9.44)	290 (11.41)	207 (8.15)	247 (9.72)	CCU + Bolt M12x45

STANDARD LENGTHS AND WEIGHTS AVAILABLE

	m (ft)	0.50 (1.64)	1.00 (3.28)	1.50 (4.92)	2.00 (6.56)	2.50 (8.20)	3.00 (9.84)	4.00 (13.12)	5.00 (16.41)
DUO	kg (lbs)	1.60 (3.73)	3.00 (6.66)	4.30 (9.57)	5.70 (12.06)	6.90 (15.39)	8.30 (18.48)	10.60 (23.48)	13.50 (29.96)
TRIO	kg (lbs)	2.80 (6.33)	4.80 (10.75)	4.20 (9.26)	8.80 (19.53)	10.80 (23.92)	12.80 (28.31)	16.50 (36.44)	13.50 (45.92)

Connection material (pins/clips/couplers) and packaging are not included in above weights



EUT 01 Eutrac electro straight coupler



EUT 02 Eutrac end cap



EUT 03 Eutrac earth contact



EUT 04 Eutrac floating mid feed

